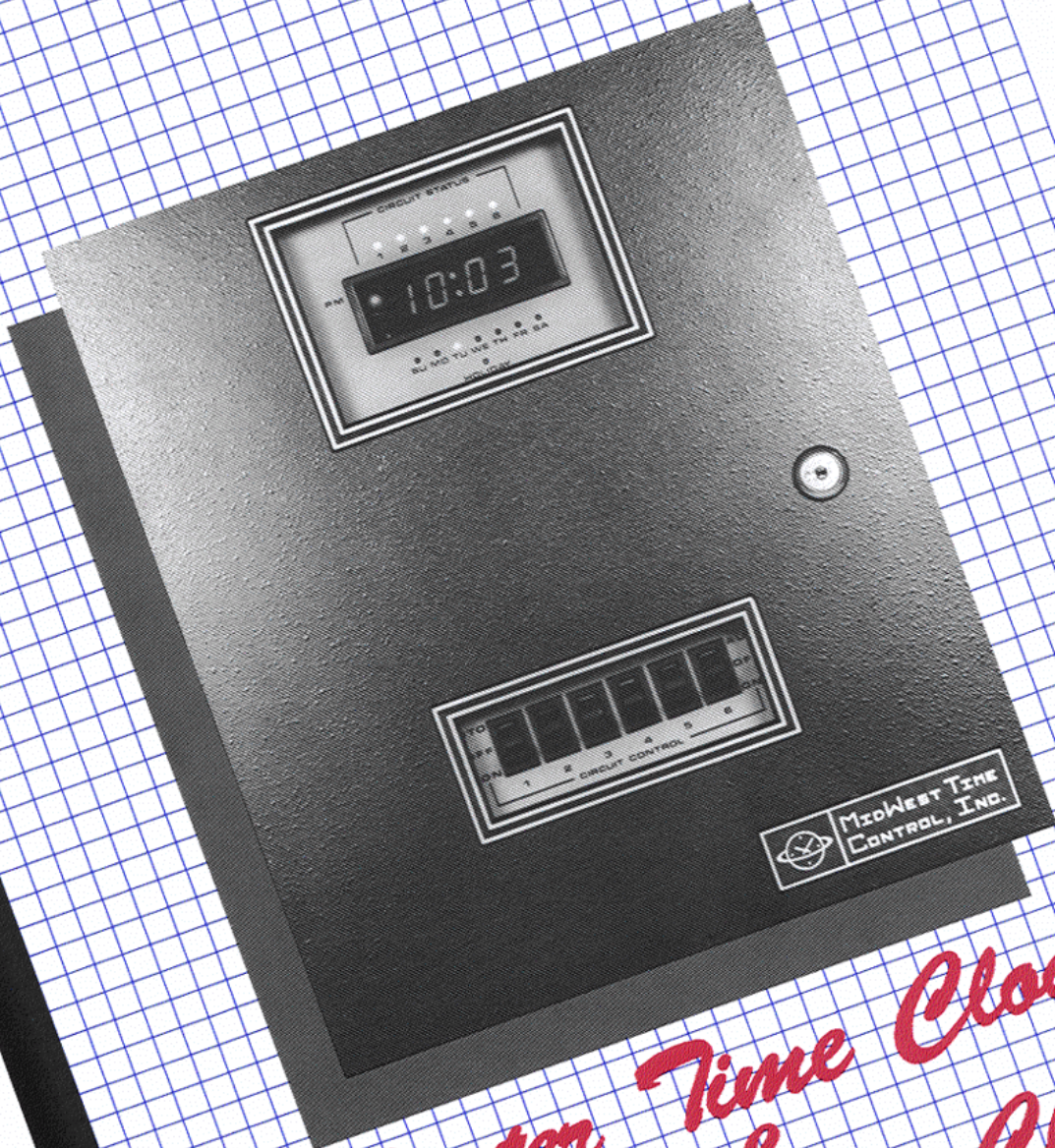


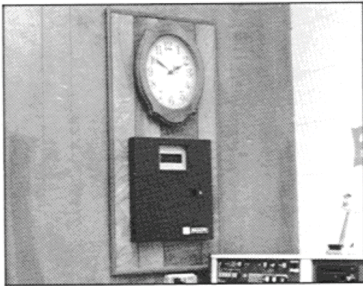
 MIDWEST TIME
CONTROL, INC.™



*Master Time Clocks
&
Programmable Clocks*

Accurate Master Time Control

Central to any building time control system is a Master Clock. MidWest Time Control offers two clocks for this purpose, the MTC series and the PC series. The MTC series are microprocessor-based Master Clocks designed to provide accurate, trouble-free synchronization of secondary clocks while at the same time offering programmable control circuits for automating building operations. They are suitable for many types of buildings: schools, hospitals, industrial plants, and office buildings. MTC series clocks are a cost competitive solution to your building time control problems, with state of the art features.

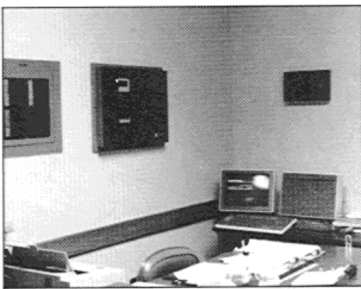
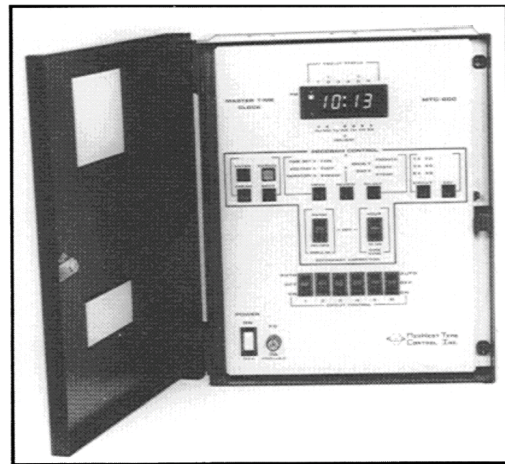


The PC-400 Programmable Clock also provides control circuits, but without the secondary clock controls.

Programming of MTC and PC series clocks is easily accomplished with a human engineered Control Panel. A four digit display and LED indicators guide the operator through each step. The MTC and PC series of clocks may also be programmed from a computer terminal, with the added capability of synchronizing the computer and PC time. For locations requiring absolute timing accuracy, MTC and PC series clocks may be synchronized with the National Bureau of Standards. With the addition of a modem, MTC and PC series Clocks may be monitored and programmed from a remote computer terminal.

Standard Features

- ! Simple, user friendly programming
- ! 1 day, 5 day, 7 day programming
- ! Single event or bulk memory erase
- ! 10 year rated battery backup
- ! Two, four, or six programmable circuits
- ! Output circuit status indicators
- ! 650 event program
- ! Duration programming for output circuits
- ! Program security access code
- ! Output circuit ON-OFF-AUTO switches
- ! Simple chronological program review
- ! Automatic leap year update
- ! Automatic daylight savings time correction
- ! On-Off programming for output circuits
- ! 12 or 24 hour time display format
- ! Manual secondary clock controls (MTC series)
- ! Automatic correction of Wired Synchronous secondary clocks (MTC series)
- ! 10 programmable holiday periods



Optional Features

- ! Synchronize with computer time (RS232)
- ! Program from computer terminal (RS232)
- ! Four selectable output circuit programs
- ! Automatic correction of Minute Impulse clocks (MTC series)
- ! National Bureau of Standards synchronization
- ! Relay kit for extra control functions
- ! Expanded memory (2666 events)
- ! Serial output for digital secondary clocks (RS485)

Secondary Clock Control

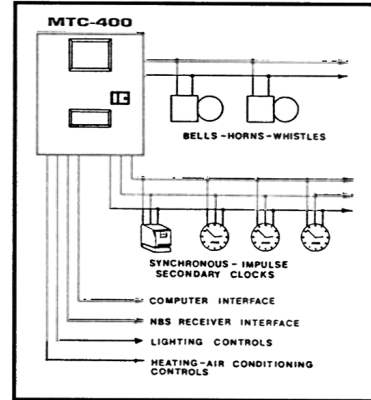
The MTC series provides hourly and twelve hour correction signals for Wired Synchronous secondary clocks.

With the addition of the optional Impulse Kit, the MTC series will provide timekeeping and correction signals to 2 or 3 wire Minute Impulse secondary clocks, 58th or 59th minute reference, and will provide 12 hour correction signals for clocks with that feature. During periods of primary power failure, an accumulator stores impulse clock signals. When power is restored, the Impulse clocks are corrected to the current time.

Many Payroll Recorders and Time Stamps may be synchronized with the MTC clock. With the addition of the Communications option, most computer-based payroll and job costing systems may be synchronized.

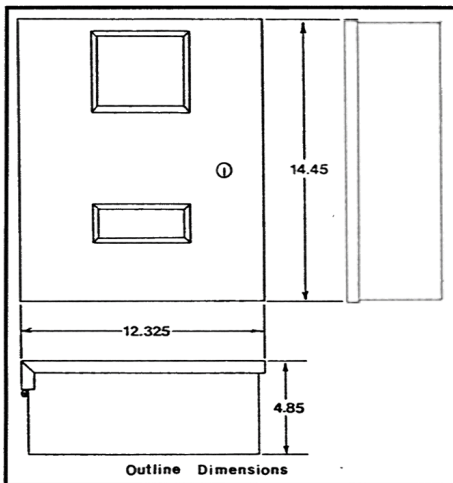
The MTC series of Master Clocks are capable of correcting most commercially available clock systems.

Manual switches are provided to assist in the setup of secondary clocks.



Output Control Circuits

The MTC and PC series clocks have two (MTC-200), four (MTC-400: PC-400), or six (MTC-600) programmable output circuits for control of separate functions. For operator convenience, 5 day and 7 day programming is provided. For control of bells, buzzers, or horns, a duration of 1 to 59 seconds may be programmed for any of the output circuits. For On-Off control, such as for lighting, on-time and off-time programming is provided. Up to 650 events per week may be scheduled. With the addition of the Four Program option, four user-selectable programs of 650 events each are available for scheduling. Or, an expanded memory option allows up to 2666 events to be programmed. Manual controls are provided for each output circuit. Circuit status indicators are provided on the control panel.



Holiday Schedules

Up to 10 holiday periods may be scheduled to inhibit the operation of the output circuits. Holiday periods may be multiple days and can be programmed 12 months in advance.

Battery Backup

The MTC and PC series Master Clock's time, day, date, and program memory is retained during periods of primary power failure by a state-of-the-art Lithium Energy Cell. The energy cell has a 10 year rated life, virtually eliminating concern for memory loss during power failures.

Specifications

Input Voltage 120 VAC
Input Voltage Frequency 60 Hz (50 Hz Optional)
Standby Power Lithium Energy Cell, 10 year rated
Power Consumption 15 Watts Max
Power Protection Fused input and outputs
Output Circuit Contacts SPDT 10 Amps @ 120 VAC Resistive
SWP Contact 10 Amps @ 120 VAC Resistive
Impulse Clock Power 24 VDC 4 Amps (Optional)
Program Capacity 650 Events (four 650 event programs or
2666 event expanded memory optional)
Holiday Schedules 10 Holidays, any duration
Clock Operating Accuracy Line Synchronous
Clock Standby Accuracy 1 Minute per month @ 25 Deg. C
Optional Accuracy (NBS) 0.01 second
Calendar 100 year accuracy
Impulse Clock 2 or 3 wire, 58th or 59th minute reference
(12 Hour Correction for impulse clocks with that feature)
Operating Temperature 0 to 60 Deg. C
Storage Temperature -30 to 75 Deg. C
Weight 19.25 Lbs.
Dimensions 14.5 H x 12.3 W x 5.0 D

MidWest Time Control, Inc.
P.O. Box 1108 Owasso, OK 74055
Phone: 918-272-9430
FAX: 918-272-9441
Email: sales@midwest-time.com
www.midwest-time.com